



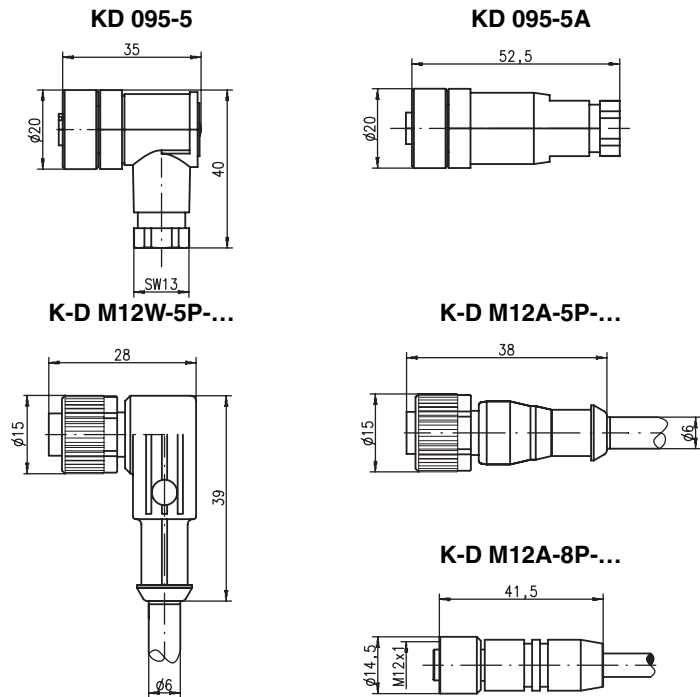
M12 connectors



For devices with M12 connectors, there are available: connectors with ready-made cable and connectors with screw connection.

Protection class IP 67 (DIN 40050) is provided with both the connector cable accessories and the field-wireable connectors.

Dimensioned drawings



Selection table

M12 connector, user-configurable		
Connection type		
	Without cable, 5-pin	
Screw terminals	KD 095-5 Part No. 500 20502	KD 095-5A Part No. 500 20501

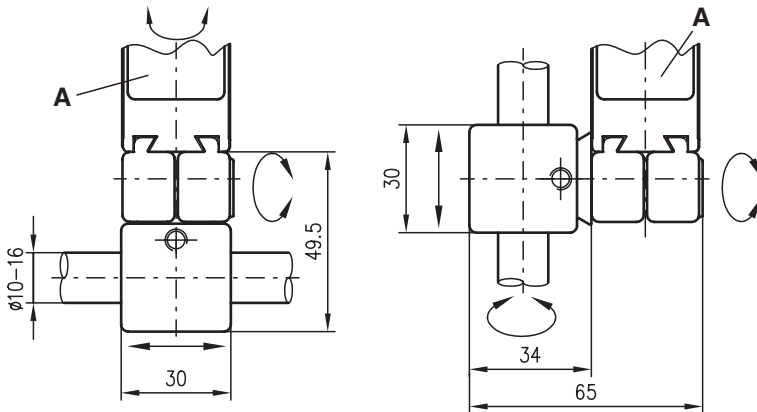
M12 connection cable with connector, single-sided		
Length		
	PVC cable sheath, 5-pin	
2m	K-D M12W-5P-2m-PVC Part No. 501 04556	K-D M12A-5P-2m-PVC Part No. 501 04555
5m	K-D M12W-5P-5m-PVC Part No. 501 04558	K-D M12A-5P-5m-PVC Part No. 501 04557
10m	K-D M12W-5P-10m-PVC Part No. 501 04560	K-D M12A-5P-10m-PVC Part No. 501 04559
Length	PUR cable sheath, 5-pin	
	2m	K-D M12W-5P-2m-PUR Part No. 501 04568
5m	K-D M12W-5P-5m-PUR Part No. 501 04762	K-D M12A-5P-5m-PUR Part No. 501 04569
Length	PUR cable sheath, 8-pin	
	2m	-
5m	-	K-D M12A-8P-5m-PUR Part No. 501 04590

We reserve the right to make changes*fmt_zu_e.fm



Dimensioned drawings

UMS 96

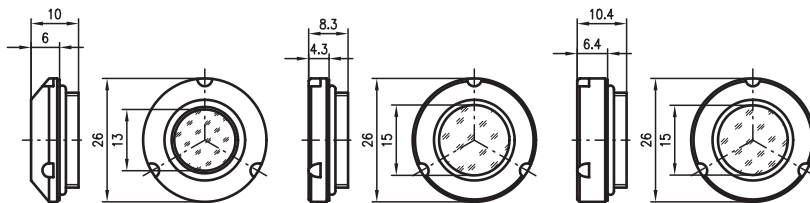


A Sensor

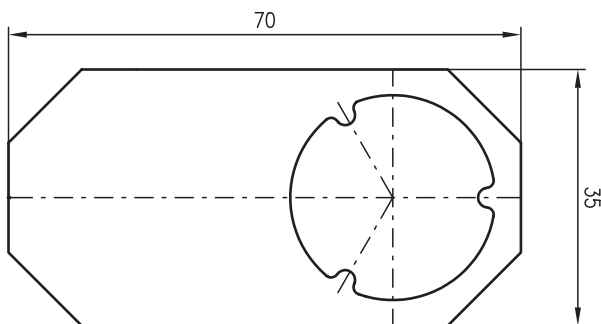
OB-12

OB-20

OB-50



WZ-OB



Mounting systems

UMS 96 (Part No. 500 26204)



OB-12 (Part No. 500 34051)

OB-20 (Part No. 500 34050)

OB-50 (Part No. 500 34049)



WZ-OB (Part No. 500 34118)





KRTG 8, LKRTG 8, LRT 8

Accessories

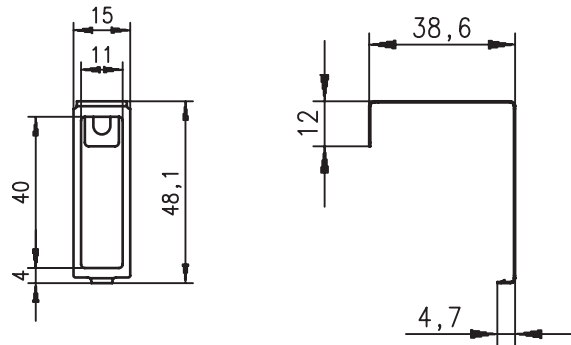
Control guard

BS 8 (Part No. 500 41067)



Dimensioned drawings

BS 8



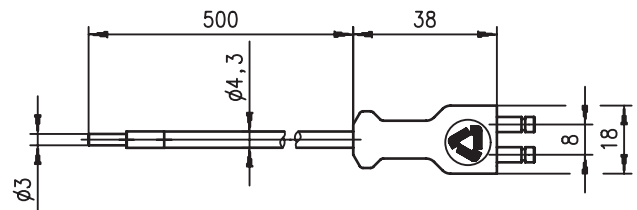
Glass fibre optics

GFA 500/1RT-MS (Part No. 500 39123) for LKRTG 8:

- Operating mode: scanning operation
- Sheathing: brass
- End piece: aluminium
- Length: 500 mm
- Light spot diameter: approx. 4 mm

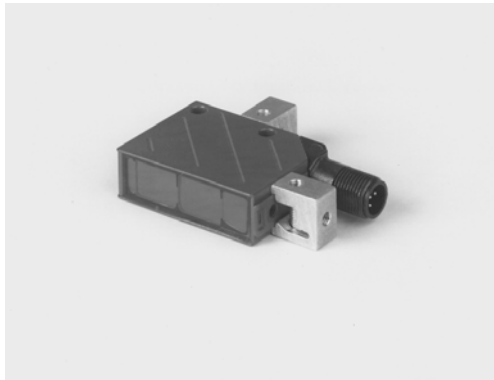
Fiber optics with other lengths, head pieces and cross sections on request.

GFA 500/1RT-MS

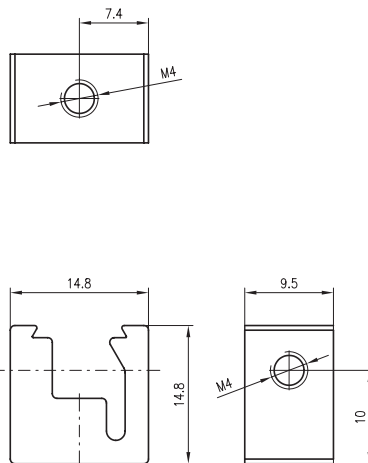


Mounting systems

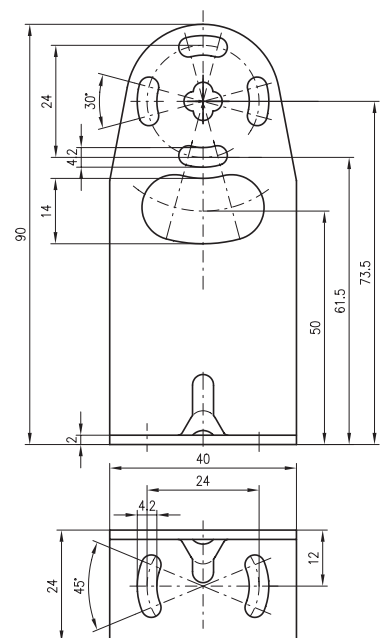
BT 8-0 (Part No. 500 36196)



BT 8-0



BT 8



BT 8 (Part No. 500 36195)

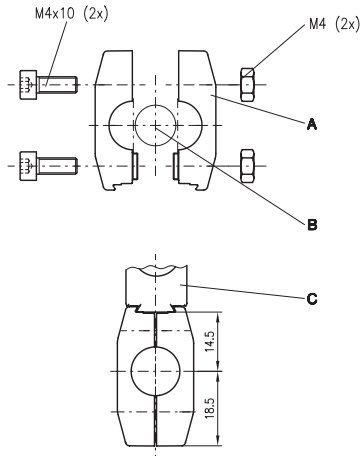


We reserve the right to make changes•fmt_zu_e.fm



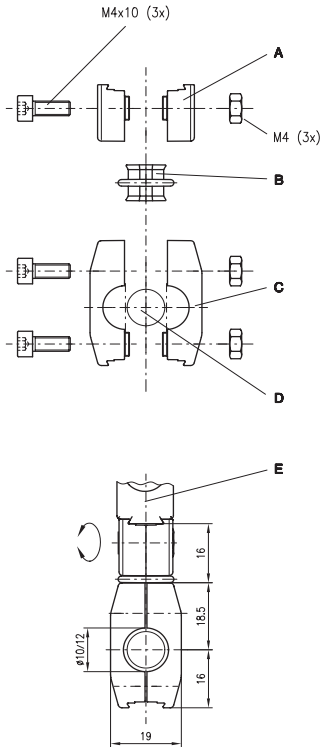
Dimensioned drawings

UMS 8-D...



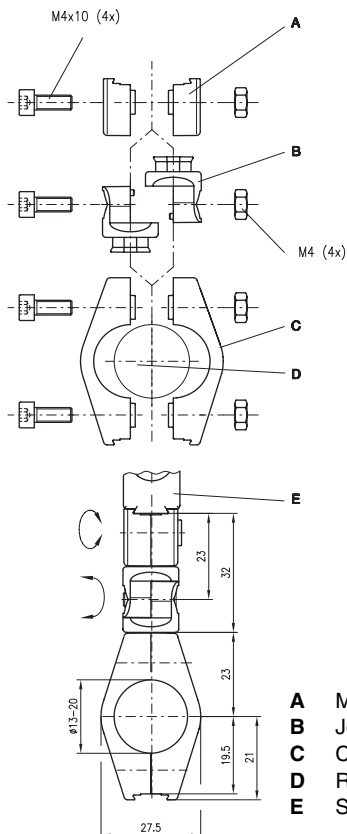
- A Clamp
- B Rod
- C Sensor

UMS 8.1-D...



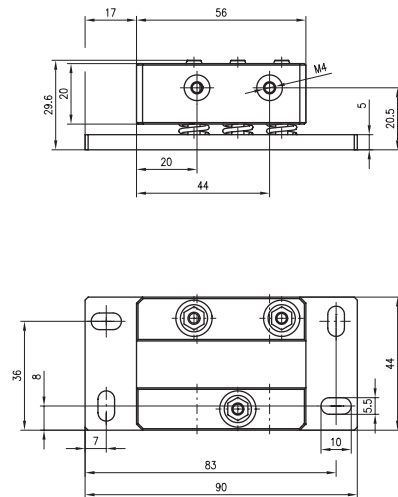
- A Mount
- B Joint
- C Clamp
- D Rod
- E Sensor

UMS 8.2-D...



- A Mount
- B Joint
- C Clamp
- D Rod
- E Sensor

BT 8-ARH



Mounting systems

- UMS 8-D10 (Ø10mm, Part No. 500 35020)
- UMS 8-D12 (Ø12mm, Part No. 500 35021)
- UMS 8-D14 (Ø14mm, Part No. 500 35022)



- UMS 8.1-D10 (Ø10mm, Part No. 500 35023)
- UMS 8.1-D12 (Ø12mm, Part No. 500 35024)
- UMS 8.1-D14 (Ø14mm, Part No. 500 35025)



- UMS 8.2-D10 (Ø10mm, Part No. 500 35026)
- UMS 8.2-D12 (Ø12mm, Part No. 500 35027)
- UMS 8.2-D14 (Ø14mm, Part No. 500 35028)



BT 8-ARH (Part No. 500 35030)



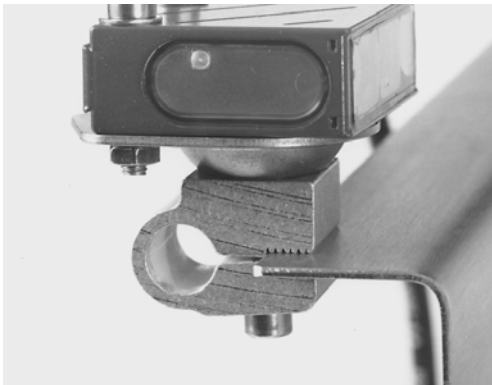


KRTG 8, LKRTG 8, LRT 8

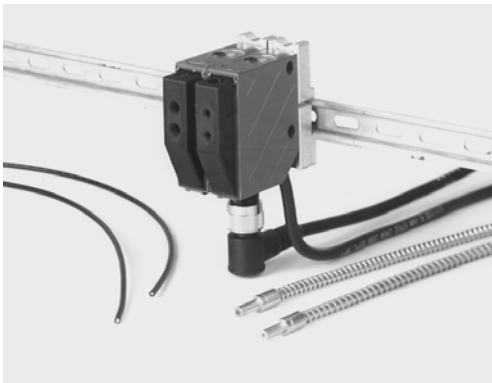
Accessories

Mounting systems

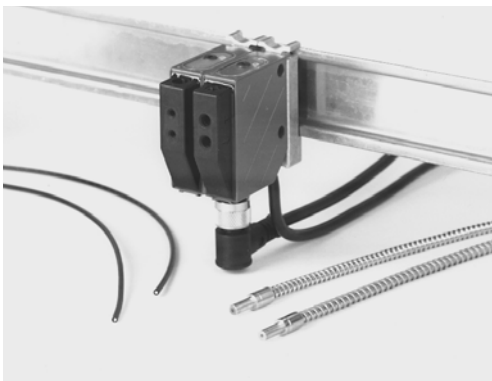
- BT 8-D10 (Ø10mm, Part No. 500 35017)
- BT 8-D12 (Ø12mm, Part No. 500 35018)
- BT 8-D14 (Ø14mm, Part No. 500 35019)



BT 8-C15 (Part No. 500 35016)

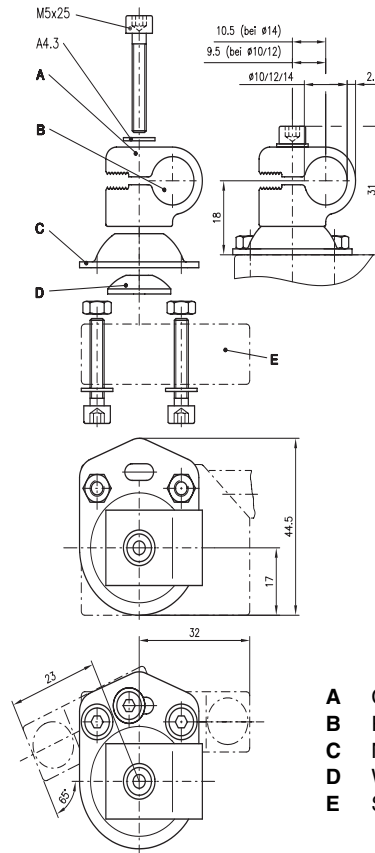


BT 8-C35x7.5 (Part No. 500 35015)



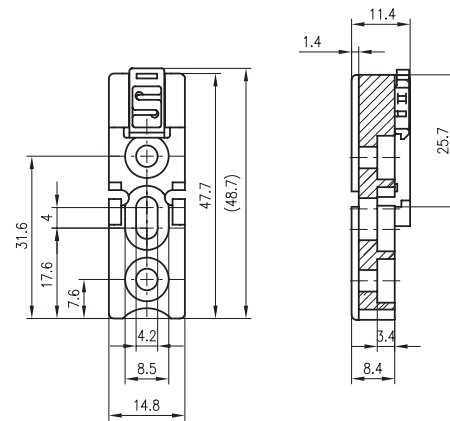
Dimensioned drawings

BT 8-D...

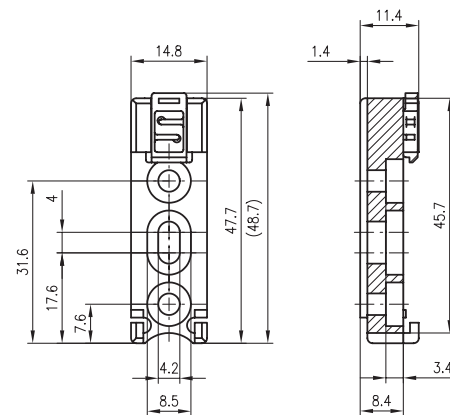


- A Clamp
- B Rod diameter
- C Mounting plate
- D Washer
- E Sensor

BT 8-C15



BT 8-C35x7,5



We reserve the right to make changes*fmt_zu_e.fm